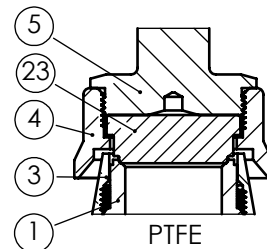
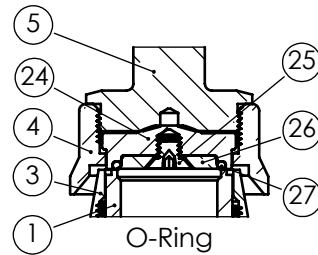
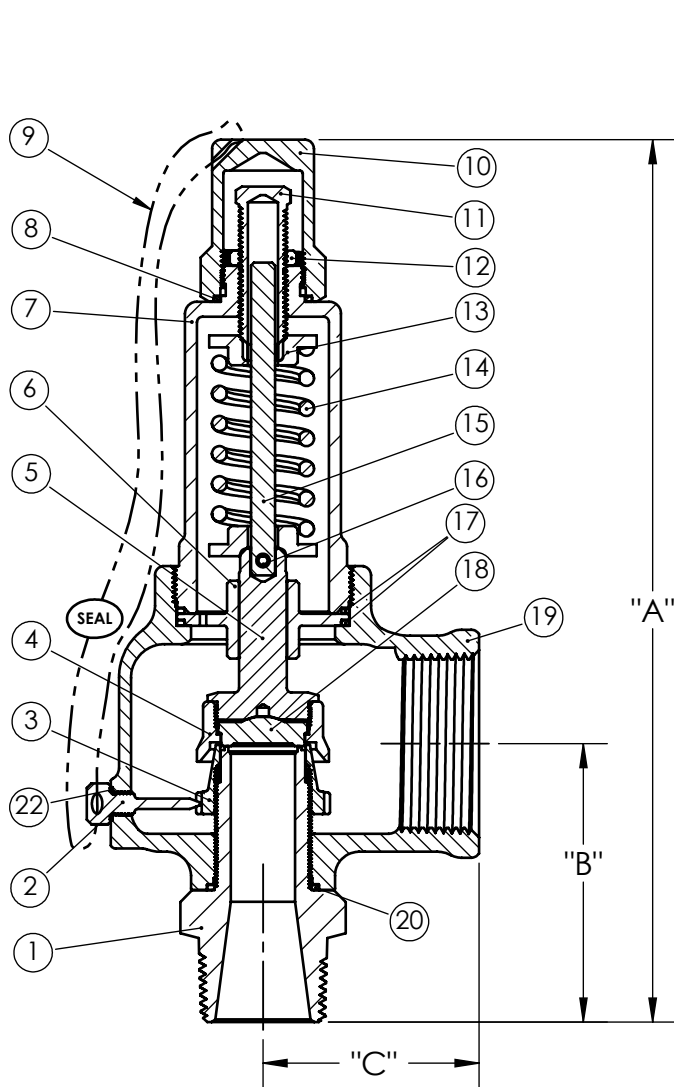


Aquatrol Inc. is the owner of this print and design thereon

Safety Relief Valve for Air / Gas / Steam / Liquid
 Certifications: ASME - NB Section VIII, PED/CE, CRN



Item	Description	Material
1	Nozzle	SA479-316, SS
2	Ring Lock Screw	SA479-316, SS
3	Lower Ring	SA351-CF8M, SS
4	Disc Holder	SA479-316, SS
5	Disc Holder Shaft	SA479-316, SS
6	Disc Guide	SA479-316, SS
7	Bonnet	SA108-1117, SA216-WCB
8	Hood Seal	PTFE
9	Seal Wire	Steel / Lead
10	Hood	SA108-1018
11	Pressure Screw	SA479-316, SS
12	Lock Nut	SA479-316, SS
13	Spring Plate	SA479-316, SS
14	Spring	17-7 SS
15	Spring Post	SA479-316, SS
16	Spring Pin	18-8, SS
17	Disc Guide Seals (2)	PTFE
18	Disc	SA479-316, SS
19	Body	SA216-WCB
20	Nozzle Seal	PTFE
21	Nameplate	Stainless
22	Lock Screw Seal	PTFE

Orifice	Max. Set Pressure	Connections MNPT x FNPT		Closed Cap	Lift Lever	Dimensions	
		Inlet	Outlet			"A"	"B"
D	1500	1/2"	3/4"	7-3/8"	8-1/8"	2-3/8"	1-5/8"
D	1500	1/2"	1"	7-3/8"	8-1/8"	2-3/8"	1-5/8"
D	1500	3/4"	3/4"	7-3/8"	8-1/8"	2-3/8"	1-5/8"
D	1500	3/4"	1"	7-3/8"	8-1/8"	2-3/8"	1-5/8"
D	1500	1"	1"	7-3/8"	8-1/8"	2-3/8"	1-5/8"
E	1500	3/4"	1"	8-1/8"	9"	2-5/8"	2"
E	1500	3/4"	1-1/4"	8-1/8"	9"	2-5/8"	2"
E	1500	1"	1"	8-1/8"	9"	2-5/8"	2"
E	1500	1"	1-1/4"	8-1/8"	9"	2-5/8"	2"
E	1500	1-1/4"	1-1/4"	8-3/8"	9-1/4"	2-7/8"	2"
F	750	1"	1-1/2"	9-1/4"	9-5/8"	2-7/8"	2-1/4"
F	750	1-1/4"	1-1/2"	9-1/4"	9-5/8"	2-7/8"	2-1/4"
F	750	1-1/2"	1-1/2"	9-1/4"	9-5/8"	2-7/8"	2-1/4"
G	700	1-1/4"	2"	10-1/4"	10-5/8"	3-3/8"	2-5/8"
G	700	1-1/2"	2"	10-1/4"	10-5/8"	3-3/8"	2-5/8"
G	700	2"	2"	10-1/4"	10-5/8"	3-3/8"	2-5/8"
H	600	1-1/2"	2-1/2"	11-3/4"	12-1/8"	3-1/2"	2-7/8"
H	600	2"	2-1/2"	11-3/4"	12-1/8"	3-1/2"	2-7/8"
J	600	2"	3"	14-1/4"	14-1/2"	4"	3-1/4"
J	600	2-1/2"	3"	14-1/4"	14-1/2"	4"	3-1/4"
J	600	3"	3"	14-1/4"	14-1/2"	4"	3-1/4"

Inlet Sizes from 1/2" to 3"

Max Temp : 425°F
 Max Steam Pressure : 300 P.S.I.
 Back Pressure : 10% of set to Max of 50 P.S.I.

Series 742 Seating Options		
ITEM	Description	Material
23	Disk	PTFE
24	O-Ring Disk	SA479-316, SS
25	Screw	18-8
26	Disk Insert	SA479-316, SS
27	O-Ring	Various

Aquatrol
 VALVE COMPANY, INC.

PART NAME: **Series 742**

Date: 7/18/2013 Part Number

Drawn by: _____

Approved by: _____

742-01-12

Revised 2/19/2019