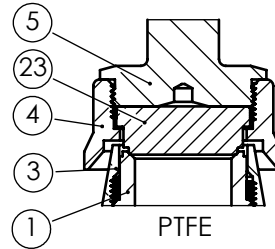
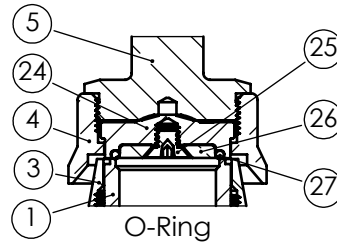
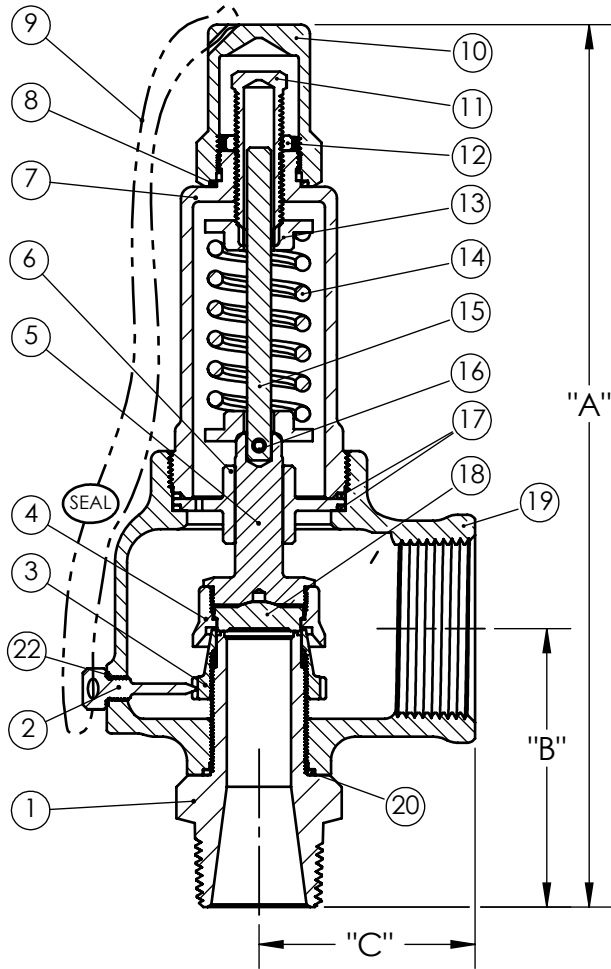


Aquatrol Inc. is the owner of this print and design thereon

Safety Relief Valve for Air / Gas / Steam / Liquid  
 Certifications: ASME - NB Section VIII, PED/CE, CRN




| Item | Description          | Material       |
|------|----------------------|----------------|
| 1    | Nozzle               | B16 Brass      |
| 2    | Ring Lock Screw      | B16 Brass      |
| 3    | Lower Ring           | SA351-CF8M, SS |
| 4    | Disc Holder          | B16 Brass      |
| 5    | Disc Holder Shaft    | B16 Brass      |
| 6    | Disc Guide           | B16 Brass      |
| 7    | Bonnet               | B16 Brass      |
| 8    | Hood Seal            | PTFE           |
| 9    | Seal Wire            | Steel / Lead   |
| 10   | Hood                 | B16 Brass      |
| 11   | Pressure Screw       | B16 Brass      |
| 12   | Lock Nut             | B16 Brass      |
| 13   | Spring Plate         | B16 Brass      |
| 14   | Spring               | 17-7 SS        |
| 15   | Spring Post          | B16 Brass      |
| 16   | Spring Pin           | 18-8, SS       |
| 17   | Disc Guide Seals (2) | PTFE           |
| 18   | Disc                 | SA479-316, SS  |
| 19   | Body                 | B584 C84400    |
| 20   | Nozzle Seal          | PTFE           |
| 21   | Nameplate            | Stainless      |
| 22   | Lock Screw Seal      | PTFE           |

| Orifice | Max. Set Pressure | Connections |        | Closed Cap | Lift Lever | Dimensions |        |
|---------|-------------------|-------------|--------|------------|------------|------------|--------|
|         |                   | Inlet       | Outlet |            |            | "A"        | "B"    |
| D       | 300               | 1/2"        | 3/4"   | 7-3/8"     | 8-1/8"     | 2-3/8"     | 1-5/8" |
| D       | 300               | 1/2"        | 1"     | 7-3/8"     | 8-1/8"     | 2-3/8"     | 1-5/8" |
| D       | 300               | 3/4"        | 3/4"   | 7-3/8"     | 8-1/8"     | 2-3/8"     | 1-5/8" |
| D       | 300               | 3/4"        | 1"     | 7-3/8"     | 8-1/8"     | 2-3/8"     | 1-5/8" |
| D       | 300               | 1"          | 1"     | 7-3/8"     | 8-1/8"     | 2-3/8"     | 1-5/8" |
| E       | 300               | 3/4"        | 1"     | 8-1/8"     | 9"         | 2-5/8"     | 2"     |
| E       | 300               | 3/4"        | 1-1/4" | 8-1/8"     | 9"         | 2-5/8"     | 2"     |
| E       | 300               | 1"          | 1"     | 8-1/8"     | 9"         | 2-5/8"     | 2"     |
| E       | 300               | 1"          | 1-1/4" | 8-1/8"     | 9"         | 2-5/8"     | 2"     |
| E       | 300               | 1-1/4"      | 1-1/4" | 8-3/8"     | 9-1/4"     | 2-7/8"     | 2"     |
| F       | 300               | 1"          | 1-1/2" | 9-1/4"     | 9-5/8"     | 2-7/8"     | 2-1/4" |
| F       | 300               | 1-1/4"      | 1-1/2" | 9-1/4"     | 9-5/8"     | 2-7/8"     | 2-1/4" |
| F       | 300               | 1-1/2"      | 1-1/2" | 9-1/4"     | 9-5/8"     | 2-7/8"     | 2-1/4" |
| G       | 300               | 1-1/4"      | 2"     | 10-1/4"    | 10-5/8"    | 3-3/8"     | 2-5/8" |
| G       | 300               | 1-1/2"      | 2"     | 10-1/4"    | 10-5/8"    | 3-3/8"     | 2-5/8" |
| G       | 300               | 2"          | 2"     | 10-1/4"    | 10-5/8"    | 3-3/8"     | 2-5/8" |
| H       | 300               | 1-1/2"      | 2-1/2" | 11-3/4"    | 12-1/8"    | 3-1/2"     | 2-7/8" |
| H       | 300               | 2"          | 2-1/2" | 11-3/4"    | 12-1/8"    | 3-1/2"     | 2-7/8" |
| J       | 300               | 2"          | 3"     | 14-1/4"    | 14-1/2"    | 4"         | 3-1/4" |
| J       | 300               | 2-1/2"      | 3"     | 14-1/4"    | 14-1/2"    | 4"         | 3-1/4" |
| J       | 300               | 3"          | 3"     | 14-1/4"    | 14-1/2"    | 4"         | 3-1/4" |

Inlet Sizes from 1/2" to 3"

Max Temp : 406°F  
 Max Steam Pressure : 250 P.S.I.  
 Back Pressure : 10% of set to Max of 50 P.S.I.

| Series 740 Seating Options |             |               |
|----------------------------|-------------|---------------|
| ITEM                       | Description | Material      |
| 23                         | Disk        | PTFE          |
| 24                         | O-Ring Disk | SA479-316, SS |
| 25                         | Screw       | 18-8          |
| 26                         | Disk Insert | SA479-316, SS |
| 27                         | O-Ring      | Various       |



**Series 740**

|              |           |                                 |
|--------------|-----------|---------------------------------|
| PART NAME    |           | <b>Series 740</b>               |
| Date:        | 7/18/2013 | Part Number<br><b>740-01-12</b> |
| Drawn by:    |           |                                 |
| Approved by: |           |                                 |

Revised 2/19/2019