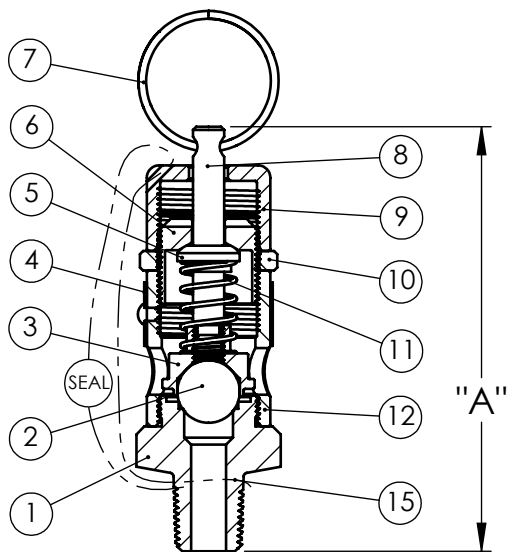
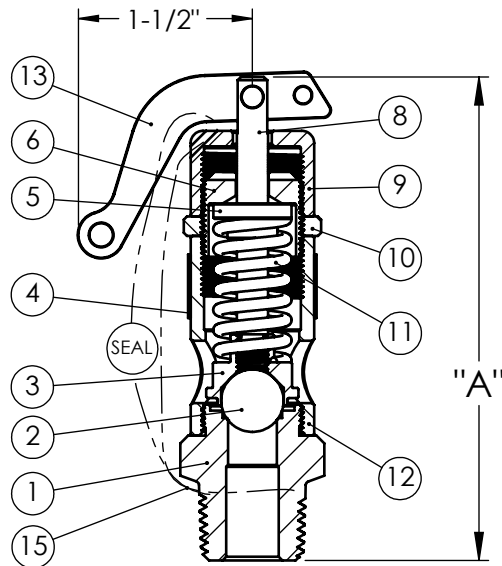


Series 140A - 140B
ASME - NB Section VIII Air/Gas
Max. 450 P.S.I.

Item	Description	Series 140	Series 141	Series 143
1	Body	B16 Brass	SA479-316, SS	SA479-316, SS
2	Disk	Stainless	Stainless	Stainless
3	Disk Holder	B16 Brass	B16 Brass	SA479-316, SS
4	Name Plate	Stainless	Stainless	Stainless
5	Spring Plate	B16 Brass	B16 Brass	SA479-316, SS
6	Pressure Screw	B16 Brass	B16 Brass	SA479-316, SS
7	Pull Ring	Plated Steel	Plated Steel	Stainless
8	Spring Post	B16 Brass	B16 Brass	SA479-316, SS
9	Hood	B16 Brass	B16 Brass	SA479-316, SS
10	Lock Nut	B16 Brass	B16 Brass	SA479-316, SS
11	Spring	Stainless	Stainless	Stainless
12	Bonnet	B16 Brass	B16 Brass	SA479-316, SS
13	Lift Lever	Plated Steel	Plated Steel	Chrome/Steel
14	Lever Pin	B16 Brass	B16 Brass	Chrome/Brass
15	Seal Wire	Steel / Lead	Steel / Lead	Stainless / Lead



140A with
Pull Ring



140B with
Lift Lever

Orifice	Slope	Inlet	"A" Dimension		Max. P.S.I.
			Pull Ring	Lift Lever	
A	.924	1/4"	3-3/8"	3-9/16"	450
		3/8"	3-3/8"	3-9/16"	
		1/2"	3-3/8"	3-9/16"	
B	1.487	3/8"	3-3/4"	3-15/16"	
		1/2"	3-3/4"	3-15/16"	
		3/4"	3-3/4"	3-15/16"	



PART NAME Series 140 - 143

Date: 5/21/2015

Drawn by:

Approved by:

Part Number

3-140-00