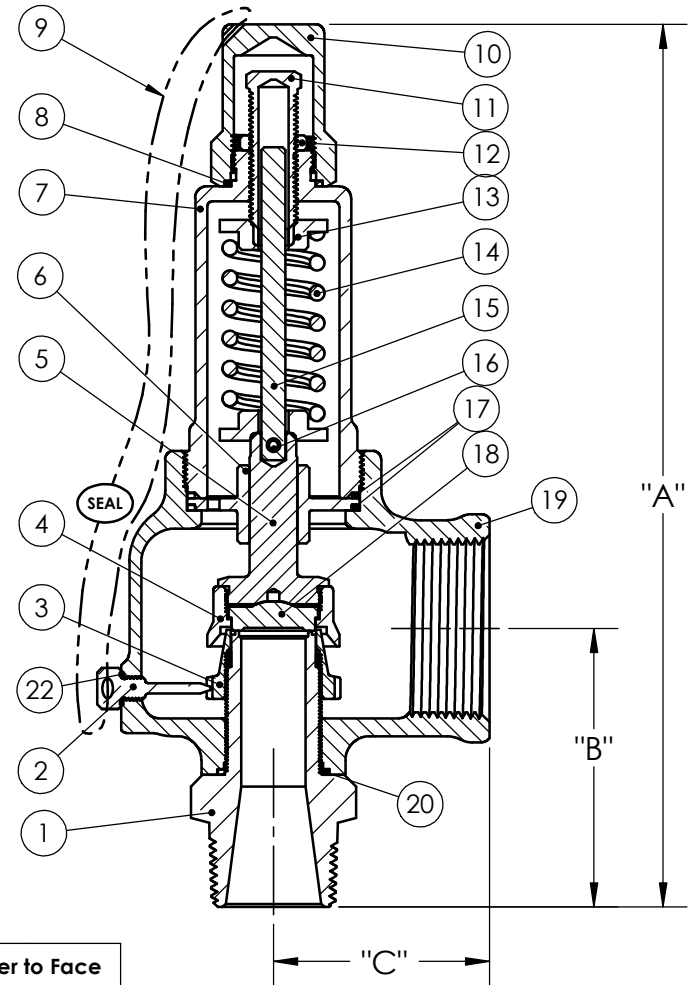
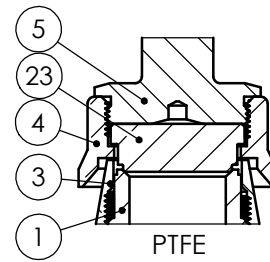
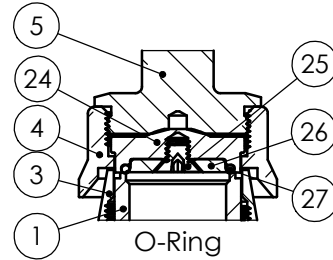


Item	Description	Material
1	Nozzle	SA479-316 SS
2	Ring Lock Screw	SA479-316 SS
3	Lower Ring	SA351-CF8M SS
4	Disc Holder	SA479-316 SS
5	Disc Holder Shaft	SA479-316 SS
6	Disc Guide	SA479-316 SS
7	Bonnet	SA351-CF8M
8	Hood Seal	PTFE
9	Seal Wire	Steel / Lead
10	Hood	SA479-316 SS
11	Pressure Screw	SA479-316 SS
12	Lock Nut	SA479-316 SS
13	Spring Plate	SA479-316 SS
14	Spring	302/17-7 SS
15	Spring Post	SA479-316 SS
16	Spring Pin	18-8 SS
17	Disc Guide Seals (2)	PTFE
18	Disc	SA479-316 SS
19	Body	SA351-CF8M SS
20	Nozzle Seal	PTFE
21	Nameplate	Stainless
22	Lock Screw Seal	PTFE
Series 743 Seating Options		
ITEM	Description	Material
23	Disk	PTFE
24	O-Ring Disk	SA479-316 SS
25	Screw	18-8 SS
26	Disk Insert	SA479-316 SS
27	O-Ring	Various



<sup>1</sup> 1/2" E Orifice is ASME/CE Air/Gas and Steam Only

Orifice	Max Set Pressure	Connections MNPT x FNPT		Closed Cap "A"	Lift Lever "A"	Center to Face		Orifice	Max Set Pressure	Connections MNPT x FNPT		Closed Cap "A"	Lift Lever "A"	Center to Face	
						"B"	"C"							"B"	"C"
D	1500	1/2"	3/4"	7-3/8"	8-1/8"	2-3/8"	1-5/8"	F	750	1-1/4"	1-1/2"	9-1/4"	9-5/8"	2-7/8"	2-1/4"
D	1500	1/2"	1"	7-3/8"	8-1/8"	2-3/8"	1-5/8"	F	750	1-1/2"	1-1/2"	9-1/4"	9-5/8"	2-7/8"	2-1/4"
D	1500	3/4"	3/4"	7-3/8"	8-1/8"	2-3/8"	1-5/8"	G	700	1-1/4"	2"	10-1/4"	10-5/8"	3-3/8"	2-5/8"
D	1500	3/4"	1"	7-3/8"	8-1/8"	2-3/8"	1-5/8"	G	700	1-1/2"	2"	10-1/4"	10-5/8"	3-3/8"	2-5/8"
D	1500	1"	1"	7-3/8"	8-1/8"	2-3/8"	1-5/8"	G	700	2"	2"	10-1/4"	10-5/8"	3-3/8"	2-5/8"
E <sup>1</sup>	1500	1/2"	3/4"	8-1/8"	9"	2-5/8"	2"	H	600	1-1/2"	2"	11-3/4"	12-1/8"	3-1/2"	2-7/8"
E <sup>1</sup>	1500	1/2"	1"	8-1/8"	9"	2-5/8"	2"	H	600	2"	2"	11-3/4"	12-1/8"	3-1/2"	2-7/8"
E	1500	3/4"	1"	8-1/8"	9"	2-5/8"	2"	H	600	1-1/2"	2-1/2"	11-3/4"	12-1/8"	3-1/2"	2-7/8"
E	1500	3/4"	1-1/4"	8-1/8"	9"	2-5/8"	2"	H	600	2"	2-1/2"	11-3/4"	12-1/8"	3-1/2"	2-7/8"
E	1500	1"	1"	8-1/8"	9"	2-5/8"	2"	H	600	2-1/2"	2-1/2"	11-3/4"	12-1/8"	3-1/2"	2-7/8"
E	1500	1"	1-1/4"	8-1/8"	9"	2-5/8"	2"	J	600	2"	3"	14-1/4"	14-1/2"	4"	3-1/4"
E	1500	1-1/4"	1-1/4"	8-1/8"	9"	2-5/8"	2"	J	600	2-1/2"	3"	14-1/4"	14-1/2"	4"	3-1/4"
F	750	1"	1-1/2"	9-1/4"	9-5/8"	2-7/8"	2-1/4"	J	600	3"	3"	14-1/4"	14-1/2"	4"	3-1/4"

Inlet Sizes from 1/2" to 3"  
 Max Temp: 800°F  
 Max Pressure: 1500 P.S.I. (300 P.S.I. Steam)  
 Back Pressure : 10% of set, max 50 P.S.I.  
 (whichever is less)

**Aquatrol**  
VALVE COMPANY, INC.

PART NAME: **Series 743**

Date: 7/18/2013      Part Number

Drawn by: \_\_\_\_\_

Approved by: \_\_\_\_\_      **743-01-12**