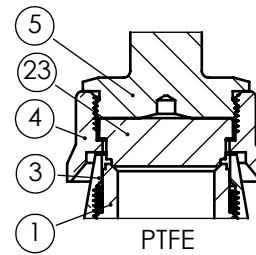
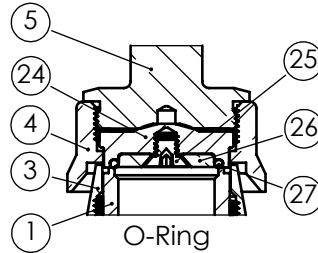
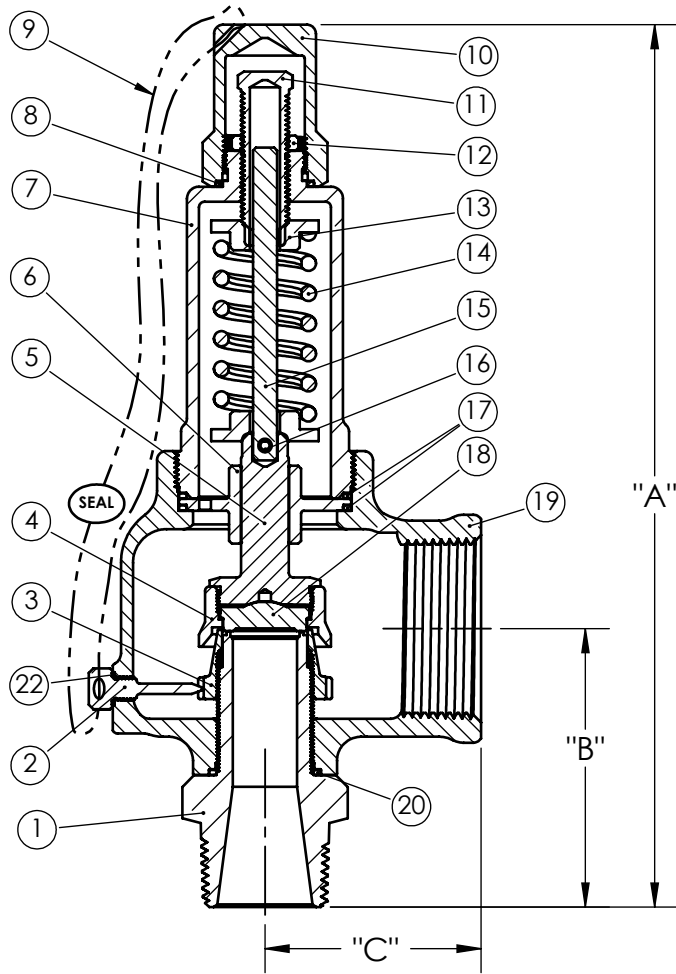


Aquatrol Inc. is the owner of this print and design thereon

Safety Relief Valve for Air / Gas / Steam / Liquid  
 Certifications: ASME - NB Section VIII, PED/CE, CRN



Item	Description	Material
1	Nozzle	SA479-316, SS
2	Ring Lock Screw	B16 Brass
3	Lower Ring	SA351-CF8M, SS
4	Disc Holder	B16 Brass
5	Disc Holder Shaft	B16 Brass
6	Disc Guide	B16 Brass
7	Bonnet	B16 Brass
8	Hood Seal	PTFE
9	Seal Wire	Steel / Lead
10	Hood	B16 Brass
11	Pressure Screw	B16 Brass
12	Lock Nut	B16 Brass
13	Spring Plate	B16 Brass
14	Spring	17-7 SS
15	Spring Post	B16 Brass
16	Spring Pin	18-8, SS
17	Disc Guide Seals (2)	PTFE
18	Disc	SA479-316, SS
19	Body	B584 C84400
20	Nozzle Seal	PTFE
21	Nameplate	Stainless
22	Lock Screw Seal	PTFE

Orifice	Max. Set Pressure	Connections MNPT x FNPT		Closed Cap	Lift Lever	Dimensions	
		Inlet	Outlet			"A"	"B"
D	1500	1/2"	3/4"	7-3/8"	8-1/8"	2-3/8"	1-5/8"
D	1500	1/2"	1"	7-3/8"	8-1/8"	2-3/8"	1-5/8"
D	1500	3/4"	3/4"	7-3/8"	8-1/8"	2-3/8"	1-5/8"
D	1500	3/4"	1"	7-3/8"	8-1/8"	2-3/8"	1-5/8"
D	1500	1"	1"	7-3/8"	8-1/8"	2-3/8"	1-5/8"
E	1500	3/4"	1"	8-1/8"	9"	2-5/8"	2"
E	1500	3/4"	1-1/4"	8-1/8"	9"	2-5/8"	2"
E	1500	1"	1"	8-1/8"	9"	2-5/8"	2"
E	1500	1"	1-1/4"	8-1/8"	9"	2-5/8"	2"
E	1500	1-1/4"	1-1/4"	8-3/8"	9-1/4"	2-7/8"	2"
F	750	1"	1-1/2"	9-1/4"	9-5/8"	2-7/8"	2-1/4"
F	750	1-1/4"	1-1/2"	9-1/4"	9-5/8"	2-7/8"	2-1/4"
F	750	1-1/2"	1-1/2"	9-1/4"	9-5/8"	2-7/8"	2-1/4"
G	700	1-1/4"	2"	10-1/4"	10-5/8"	3-3/8"	2-5/8"
G	700	1-1/2"	2"	10-1/4"	10-5/8"	3-3/8"	2-5/8"
G	700	2"	2"	10-1/4"	10-5/8"	3-3/8"	2-5/8"
H	600	1-1/2"	2-1/2"	11-3/4"	12-1/8"	3-1/2"	2-7/8"
H	600	2"	2-1/2"	11-3/4"	12-1/8"	3-1/2"	2-7/8"
J	600	2"	3"	14-1/4"	14-1/2"	4"	3-1/4"
J	600	2-1/2"	3"	14-1/4"	14-1/2"	4"	3-1/4"
J	600	3"	3"	14-1/4"	14-1/2"	4"	3-1/4"

Inlet Sizes from 1/2" to 3"

Max Temp : 425°F  
 Max Steam Pressure : 300 P.S.I.  
 Back Pressure : 10% of set, Max 50 P.S.I. (whichever is less)

Series 741 Seating Options		
ITEM	Description	Material
23	Disk	PTFE
24	O-Ring Disk	SA479-316, SS
25	Screw	18-8
26	Disk Insert	SA479-316, SS
27	O-Ring	Various

**Aquatrol**  
VALVE COMPANY, INC.

PART NAME		<b>Series 741</b>
Date:	7/18/2013	Part Number <b>741-01-12</b>
Drawn by:		
Approved by:		

Revised 8/22/2019