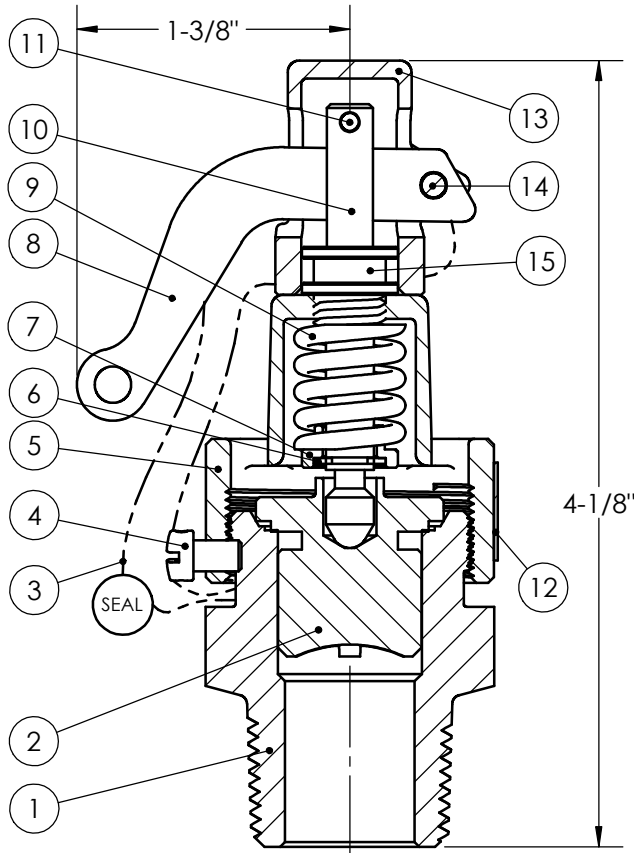


## Safety Valve - Air / Gas / Steam

### ASME - NB Section XIII "UV" for Section VIII Div. 1, CRN



Item	Description	Model/Material	
		Brass	Stainless
1	Body	B16 Brass	SA479-316 SS
2	Disk	B62-C83600	SA479-316 SS
3	Seal Wire	Steel / Lead	Steel / Lead
4	Lock Screw	B16 Brass	B16 Brass
5	Bonnet	B584-C84400	B584-C84400
6	Support	Stainless	Stainless
7	Spring Plate	B16 Brass	B16 Brass
8	Lift Lever	Steel / Plated	Steel / Plated
9	Spring	302 SS	302 SS
10	Spring Post	B16 Brass	B16 Brass
11	Lift Pin	B16 Brass	B16 Brass
12	Nameplate	Stainless	Stainless
13	Hood	B584-C84400	B584-C84400
14	Lever Pin	B16 Brass	B16 Brass
15	Hood Mount	B16 Brass	B16 Brass

Inlet Sizes 1/2" - 3/4" - 1"  
 Max Temp: 406°F  
 Max Pressure: 200 P.S.I.

<b>Aquatrol</b> VALVE COMPANY, INC.	
PART NAME <b>Series 121</b>	
Date: 4/14/2016	Part Number
Drawn by:	<b>3-121-00</b>
Approved by:	

Revised: 9/26/2022