

# Series 140 Safety Valves

**Series  
140**



## **Series 140**

A ball-seated safety valve used for applications where higher capacity may be required with a smaller sized valve. Designed, tested and built for heavy-duty applications.

Note: Currently non-ASME code

- Usages:**
- Stainless Steel Ball Disc
  - Fixed blow-down
  - Factory preset to specified pressures

**Series  
143**



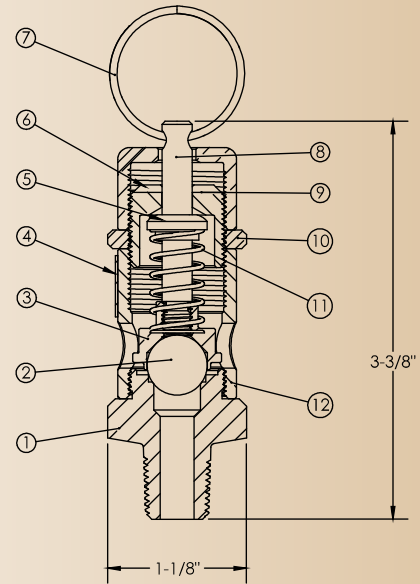
- Features:**
- Pressures to 450 P.S.I.
  - Economical
  - Stainless Steel Spring
  - Stainless Steel Ball Disc
  - Fixed blow-down
  - Factory preset to specified pressures

**Series  
140**



- Options:**
- BSPT Inlet
  - Female Inlet
  - Oxygen Cleaning
  - Full Stainless Steel Construction

<b>Series 140</b>			
Item	Description	Brass Option	Stainless Option
1	Body	B16 Brass	316 Stainless
2	Disk	Stainless	440 Stainless
3	Disk Holder	B16 Brass	316 Stainless
4	Name Plate	Aluminum	Aluminum
5	Spring Plate	B16 Brass	316 Stainless
6	Pressure Screw	B16 Brass	316 Stainless
7	Pull Ring	Plated Steel	Plated Steel
8	Spring Post	B16 Brass	316 Stainless
9	Hood	B16 Brass	316 Stainless
10	Lock Nut	B16 Brass	316 Stainless
11	Spring	A313-302 SS	302 / 17-7
12	Bonnet	B16 Brass	316 Stainless



<b>Series 140 Capacity</b> Air SCFM @ 10% over set pressure			
PSI	SCFM	PSI	SCFM
10	20	210	189
20	28	220	198
30	37	230	206
40	45	240	215
50	54	250	223
60	62	260	232
80	79	300	265
100	96	340	299
120	113	360	316
140	130	380	333
160	147	400	350
180	164	420	367
190	172	440	384
200	181	450	392

<b>Series 140 Capacity</b> Air Nm3/hr @ 10% over set pressure			
Bar	Nm3/hr	Bar	Nm3/hr
1	40	17	374
2	61	18	395
3	82	19	416
4	103	20	437
5	124	21	457
6	144	22	478
8	186	24	520
10	228	26	562
11	249	27	583
12	270	28	603
13	290	29	624
14	311	30	645
15	332	31	666
16	353		

<b>Series 140 Part Numbers</b>								
140	B	A	1	M	7	N	1	125
Series / Description	Inlet	Metals	Connection	Seating	Cap	Service	Options	Set
140 Brass	A- 1/4"	A- Brass	1- NPT Male	M- Metal	1- Lift Lever	N- Non-code Air/gas	1- None	Ex.125
141 316 S.S. Nozzle	B- 3/8"	B- 316 SS	2- NPT Female		7- Pull Ring	T- Non-code Steam	2- Chrome Plating	
142 316 S.S.	C- 1/2"		3- BSPT Male				3- O2 Cleaned	
			4- BSPT Female					
			8- BSPP Male					
			9- BSPP Female					