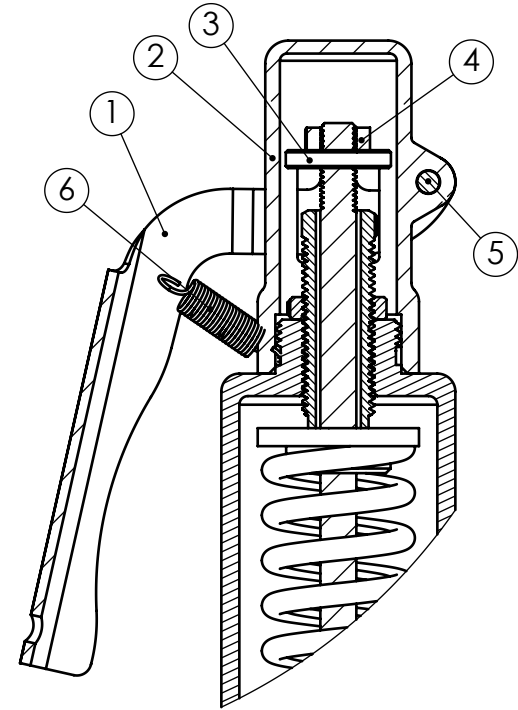
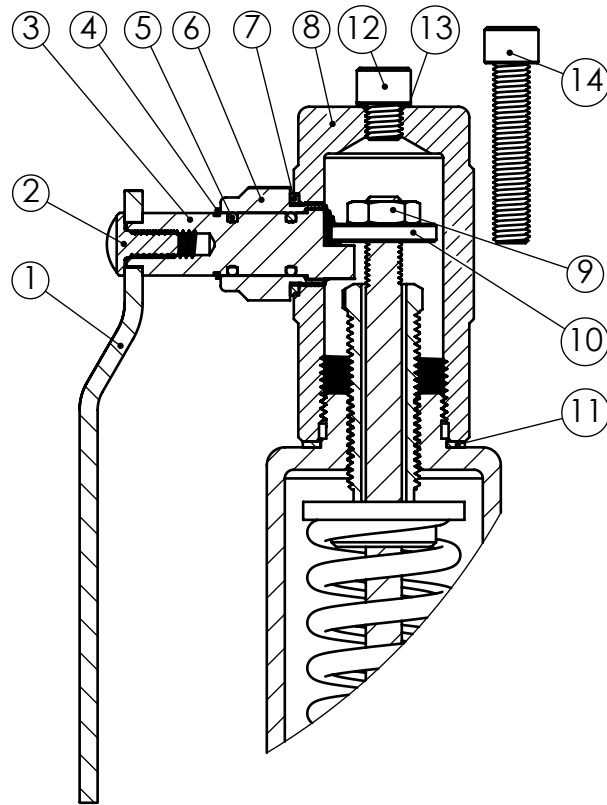


Aquatrol Inc. is the owner of this print and design thereon



**Packed Lift Lever showing Optional Gag Screw**

Item	Description	Material Options		
		Brass	Carbon Steel	Stainless Steel
1	Handle	B16 Brass	B16 Brass/Plated	B16 Brass/Plated
2	Handle Screw	Steel / Plated	Steel / Plated	Steel / Plated
3	Cam	B16 Brass	SA479-316 S.S.	SA479-316 S.S.
4	Retaining Ring	Steel/Plated	17-7 SS	17-7 SS
5	O-Rings	Viton	Viton	Viton
6	Cam Nut	B16 Brass	SA479-316 S.S.	SA479-316
7	O-Ring	PTFE	PTFE	PTFE
8	Hood	B16 Brass	SA108-C1018	SA479-316 S.S.
9	Jam Nut	18-8 Stainless	18-8 Stainless	18-8 Stainless
10	Lifter Nut	B16 Brass	SA479-316 S.S.	SA479-316 S.S.
11	Hood Seal	PTFE	PTFE	PTFE
12	Gag Screw Plug	Gag Screw Option		18-8 Stainless
13	Washer	Gag Screw Option		PTFE
14	Gag Screw	Gag Screw Option		18-8 Stainless

**Open Lift Lever**

Item	Description	Material Options		
		Brass	Carbon Steel	Stainless Steel
1	Lift Lever	C1018/Plated	C1018/Plated	C1018/Plated
2	Hood	Anodized Alum.	Anodized Alum.	Anodized Alum.
3	Lifter Nut	B16 Brass	SA479-316 S.S.	SA479-316 S.S.
4	Jam Nut	18-8 Stainless	18-8 Stainless	18-8 Stainless
5	Lift Lever Pin	B16 Brass	SA479-316 S.S.	SA479-316 S.S.
6	Spring	Optional Anti-Vibration Spring		Stainless Steel



PART NAME		Lever Options	
Date:	1/29/2015	Part Number	
Drawn by:		<b>00-000-0</b>	
Approved by:			

Revised 9/8/2017