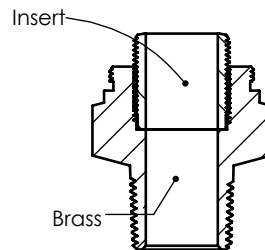
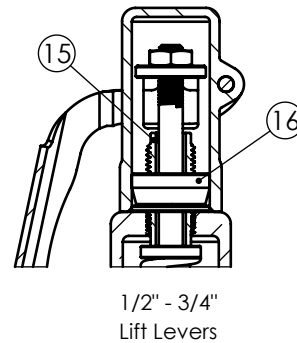
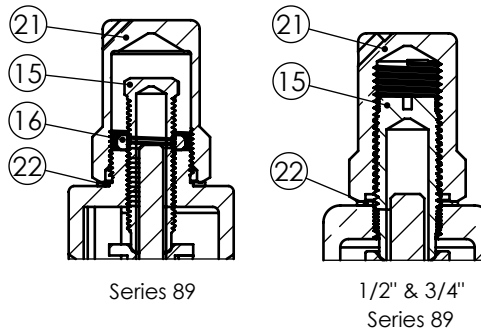
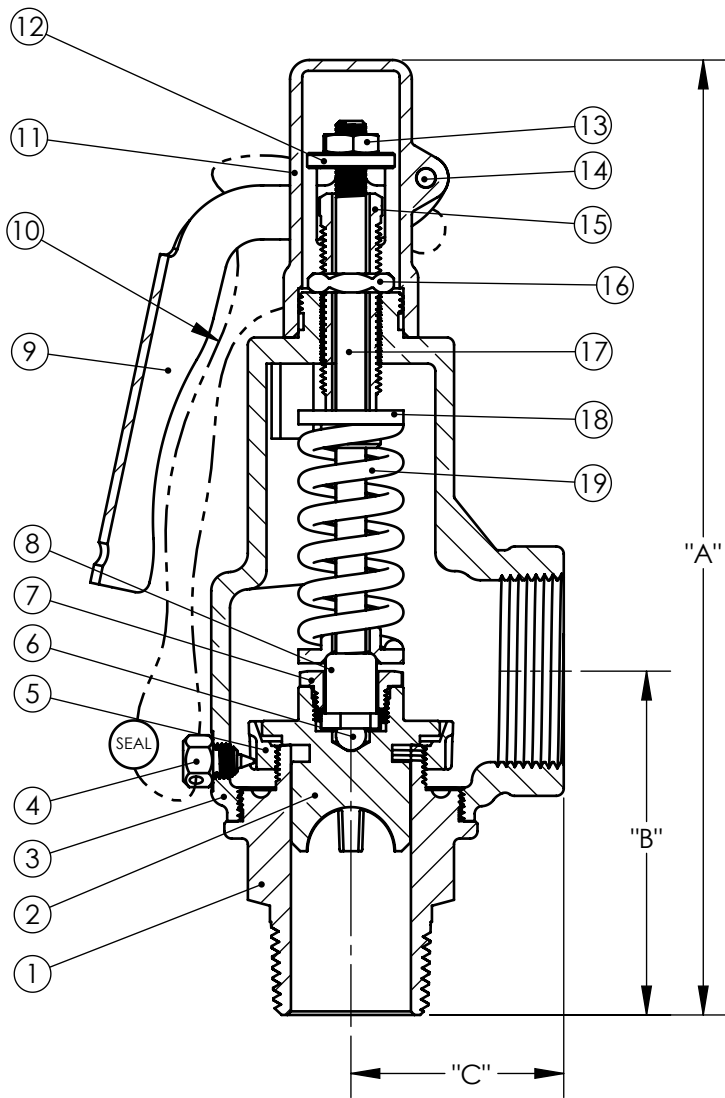


Aquatrol Inc. is the owner of this print and design thereon



Stainless Option:
1/2" - 3/4" - 1" are solid Stainless

1-1/4" and larger have an insert

ITEM	DESC.	MODEL / MATERIAL	
		88/89	88/89 B
1	Body	B16 / B283-C37700	316 SS
2	Disk	B62-C83600	316 SS
3	Bonnet	B584-C84400	B584-C84400
4	Lock Screw	B16	B16
5	Lower Ring	B584-C84400	B584-C84400
6	Ball	S.S.	S.S.
7	Disk Nut	B16	B16
8	Spring Support	B16	B16
9	Lift Lever	Plated Steel	Plated Steel
10	Seal Wire		
11	Hood	Aluminum	Aluminum
12	Lifter Nut	B16	B16
13	Jam Nut	18-8	18-8
14	Lever Pin	B16	B16
15	Pressure Screw	B16	B16
16	Locknut	B16	B16
17	Spring Post	B16	B16
18	Spring Plate	B16	B16
19	Spring	Stainless	Stainless
20	Name Plate	Aluminum	Aluminum
21	Hood	B16	B16
22	Washer	Nylon	Nylon

Size I.D.	Max. P.S.I.	Connections		Series 88		Series 89	
		Inlet	Outlet	"A"	"A"	"B"	"C"
88-A1	250	1/2"	1/2"	6-7/8"	6"	2-1/2"	1-3/8"
88-A2	250	1/2"	3/4"	6-7/8"	6"	2-1/2"	1-3/8"
88-B1	250	3/4"	3/4"	7-1/8"	6-1/4"	2-5/8"	1-1/2"
88-B2	250	3/4"	1"	7-1/8"	6-1/4"	2-5/8"	1-1/2"
88-C1	250	1"	1"	8"	7-3/8"	2-7/8"	1-3/4"
88-C2	250	1"	1-1/4"	8"	7-3/8"	2-7/8"	1-3/4"
88-D1	250	1-1/4"	1-1/4"	8-7/8"	8-1/4"	3-3/8"	2"
88-D2	250	1-1/4"	1-1/2"	8-7/8"	8-1/4"	3-3/8"	2"
88-E1	250	1-1/2"	1-1/2"	9-7/8"	9-1/2"	3-1/2"	2-1/8"
88-E2	250	1-1/2"	2"	9-7/8"	9-1/2"	3-1/2"	2-1/8"
88-F1	250	2"	2"	11-3/8"	11"	3-7/8"	2-5/8"
88-F2	250	2"	2-1/2"	11-3/8"	11"	3-7/8"	2-5/8"
88-G1	250	2-1/2"	2-1/2"	13-1/2"	13"	5-1/4"	3-1/2"
88-G2	250	2-1/2"	3"	13-1/2"	13"	5-1/4"	3-1/2"
88-H1	250	3"	3"	13-3/4"	13-1/4"	5-5/8"	3-1/2"

Notes:

- 1) 2-1/2" - 3" bodies are B62-C83600
- 2) Stainless Option:
1/2" - 3/4" and 1" are solid stainless bodies.
1-1/4" and larger have a stainless insert.
- 3) Hood locks pressure screw on 1/2" and 3/4" valves.
- 4) Springs on 2-1/2" and 3" are Zinc plated Oil tempered wire.
- 5) 2-1/2" and 3" valves are non-code.
- 6) Pressures above 250 P.S.I and below 15 P.S.I. are non-code.
- 7) Maximum backpressure: Lower of 10% of set pressure or 50 P.S.I.

Series 88 / 89
ASME - NB Section VIII Air / Steam

Inlet Sizes from 1/2" to 3"
Max. 250 P.S.I. Air
250 P.S.I. Steam
Max. Temp 406°F

Revised: 5/3/2017

PART NAME		Series 88	
Date:	3/22/2016	Part Number	
Drawn by:		2-120	
Approved by:			