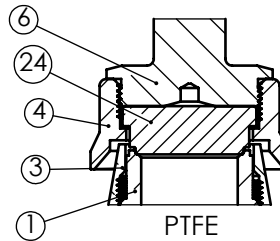
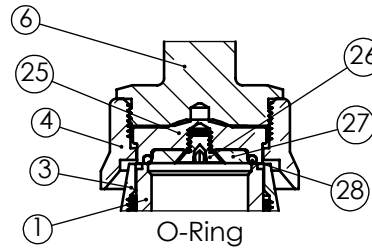
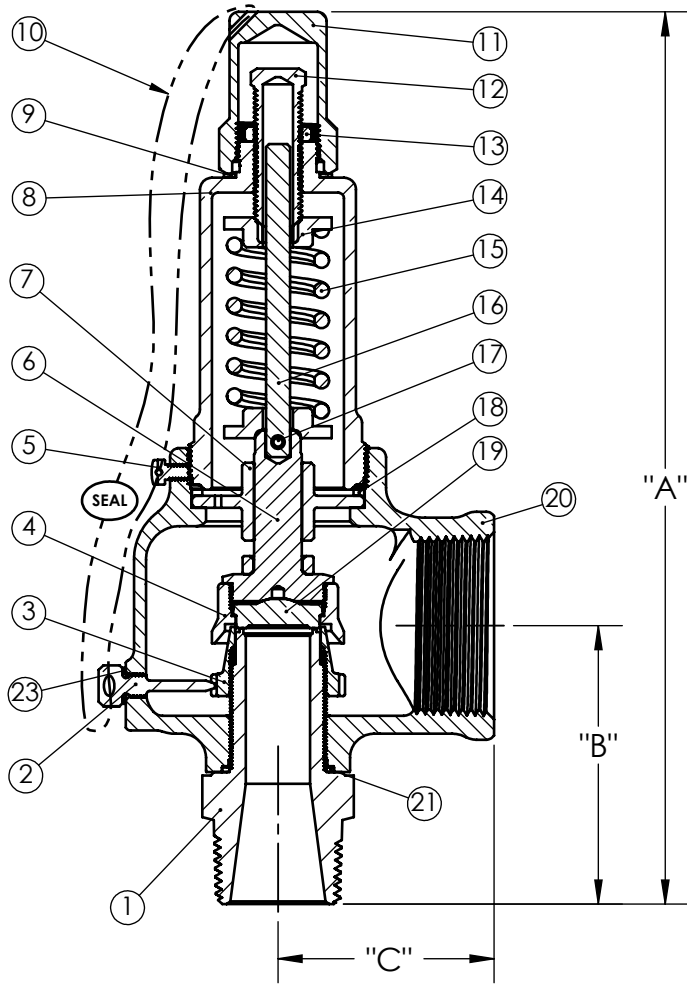


Aquatrol Inc. is the owner of this print and design thereon

Safety Relief Valve for Air / Gas / Steam / Liquid
 Certifications: ASME - NB Section VIII, PED/CE, CRN



ITEM	Description	Material
1	Nozzle	SA479-316, SS
2	Ring Lock Screw	SA479-316, SS
3	Lower Ring	SA351-CF8M, SS
4	Disc Holder	SA479-316, SS
5	Lock Screw	18-8 SS
6	Disc Holder Shaft	SA479-316, SS
7	Disc Guide	SA479-316, SS
8	Bonnet	SA479-316, SA351-CF8M
9	Washer	PTFE
10	Seal Wire	Steel / Lead
11	Hood	SA479-316, SS
12	Pressure Screw	SA479-316, SS
13	Lock Nut	SA479-316, SS
14	Spring Plate	SA479-316, SS
15	Spring	17-7 SS
16	Spring Post	SA479-316, SS
17	Spring Pin	18-8, SS
18	Disc Guide Washer	PTFE
19	Disc	SA479-316, SS
20	Body	SA351-CF8M, SS
21	Nozzle Washer	PTFE
22	Nameplate	Stainless
23	Lock Screw Washer	PTFE

Orifice	Max. Set Pressure	Connections MNPT x FNPT		Closed Cap	Lift Lever	Dimensions		
		Inlet	Outlet			"A"	"B"	"C"
D	1500	1/2"	3/4"	7-3/8"	8-1/8"	2-3/8"	1-5/8"	
D	1500	1/2"	1"	7-3/8"	8-1/8"	2-3/8"	1-5/8"	
D	1500	3/4"	3/4"	7-3/8"	8-1/8"	2-3/8"	1-5/8"	
D	1500	3/4"	1"	7-3/8"	8-1/8"	2-3/8"	1-5/8"	
D	1500	1"	1"	7-3/8"	8-1/8"	2-3/8"	1-5/8"	
E	1500	3/4"	1"	8-1/8"	9"	2-5/8"	2"	
E	1500	3/4"	1-1/4"	8-1/8"	9"	2-5/8"	2"	
E	1500	1"	1"	8-1/8"	9"	2-5/8"	2"	
E	1500	1"	1-1/4"	8-1/8"	9"	2-5/8"	2"	
E	1500	1-1/4"	1-1/4"	8-3/8"	9-1/4"	2-7/8"	2"	
F	750	1"	1-1/2"	9-1/4"	9-5/8"	2-7/8"	2-1/4"	
F	750	1-1/4"	1-1/2"	9-1/4"	9-5/8"	2-7/8"	2-1/4"	
F	750	1-1/2"	1-1/2"	9-1/4"	9-5/8"	2-7/8"	2-1/4"	
G	700	1-1/4"	2"	10-1/4"	10-5/8"	3-3/8"	2-5/8"	
G	700	1-1/2"	2"	10-1/4"	10-5/8"	3-3/8"	2-5/8"	
G	700	2"	2"	10-1/4"	10-5/8"	3-3/8"	2-5/8"	
H	600	1-1/2"	2-1/2"	11-3/4"	12-1/8"	3-1/2"	2-7/8"	
H	600	2"	2-1/2"	11-3/4"	12-1/8"	3-1/2"	2-7/8"	
J	600	2"	3"	14-1/4"	14-1/2"	4"	3-1/4"	
J	600	2-1/2"	3"	14-1/4"	14-1/2"	4"	3-1/4"	
J	600	3"	3"	14-1/4"	14-1/2"	4"	3-1/4"	

Inlet Sizes from 1/2" to 3"

Max Temp : 425°F
 Max Steam Pressure : 300 P.S.I.
 Back Pressure : 10% of set to Max of 50 P.S.I.

Series 743 Seating Options

ITEM	Description	Material
24	Disk	PTFE
25	O-Ring Disk	SA479-316, SS
26	Screw	18-8
27	Disk Insert	SA479-316, SS
28	O-Ring	Various



PART NAME		Series 743	
Date:	7/18/2013	Part Number	
Drawn by:		743-01-12	
Approved by:			

Revised 10/30/2018