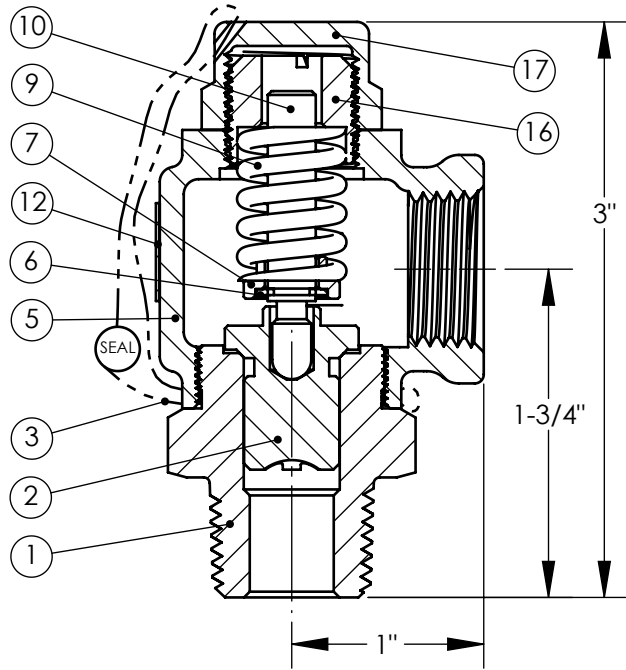


Aquatrol Inc. is the owner of this print and design thereon



Item	Description	Material
1	Body	Brass/Stainless
2	Disk	Bronze/Stainless
3	Seal Wire	Steel / Lead
5	Bonnet	Brass
6	Support	Stainless
7	Spring Plate	Brass
8	Lift Lever	Steel / Plated
9	Spring	Stainless
10	Spring Post	Brass
12	Nameplate	Stainless
16	Pressure Screw	Brass
17	Lock Cap	Brass

Series 135
 ASME - NB Section VIII Air/Gas/Steam
 Inlet Sizes 1/4" - 3/8" - 1/2"
 Outlet size 1/2" NPT
 Max. 200 P.S.I.



PART NAME		Series 135
Date:	6/11/2012	Part Number 3-135-00
Drawn by:		
Approved by:		

Revised: 12/6/2017