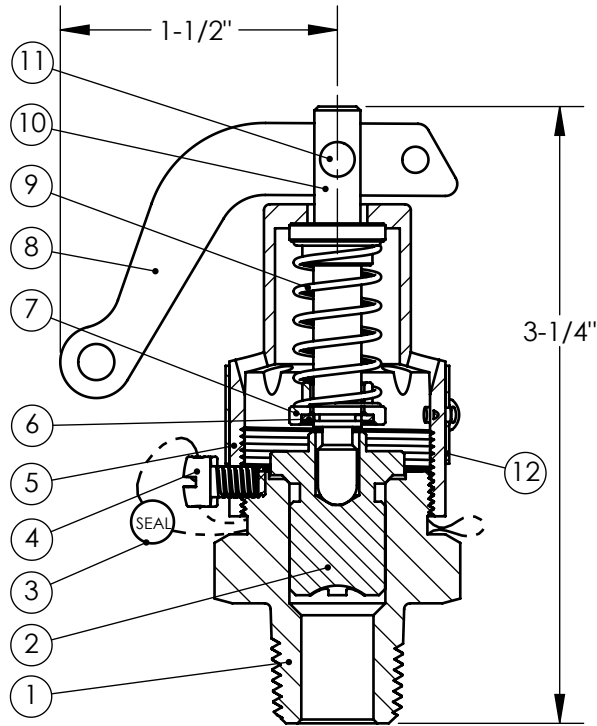


Aquatrol Inc. is the owner of this print and design thereon



Item	Description	Material
1	Body	Brass/Stainless
2	Disk	Bronze/Stainless
3	Seal Wire	Steel / Lead
4	Lock Screw	Brass
5	Bonnet	Brass
6	Support	Stainless
7	Spring Plate	Brass
8	Lift Lever	Steel / Plated
9	Spring	Stainless
10	Spring Post	Brass
11	Lift Pin	Brass
12	Nameplate	Stainless

Series 130
 ASME - NB Section VIII Air/Gas/Steam
 Inlet Sizes 1/4" - 3/8" - 1/2"
 Max. 200 P.S.I.

Aquatrol VALVE COMPANY, INC.	
PART NAME Series 130	
Date: 5/18/2015	Part Number
Drawn by:	3-130-00
Approved by:	

Revised: 12/6/2017