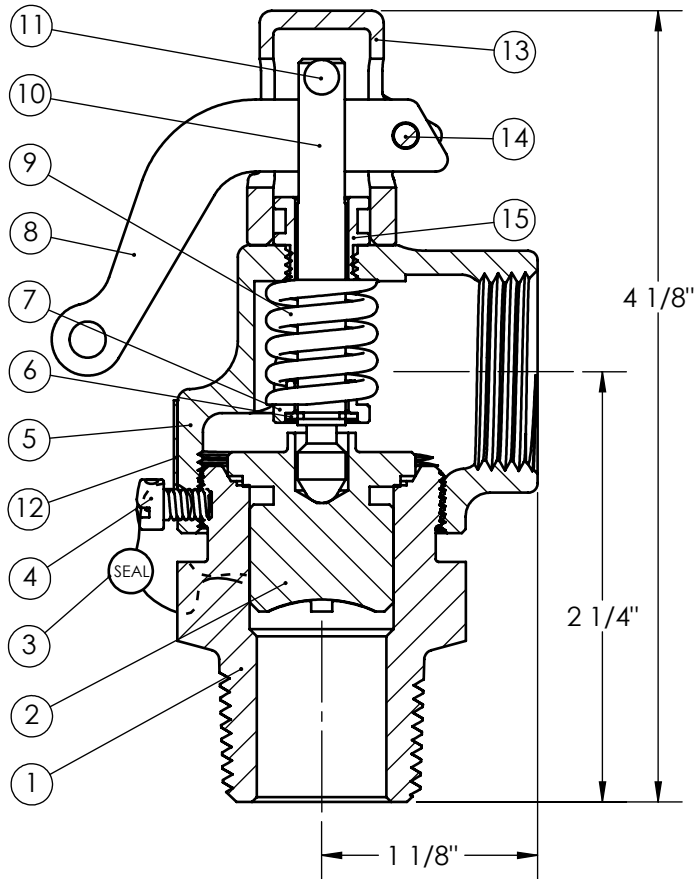


Aquatrol Inc. is the owner of this print and design thereon



Item	Desc.	Material
1	Body	Brass / Stainless
2	Disk	Bronze / Stainless
3	Seal Wire	Steel / Lead
4	Lock Screw	Brass
5	Bonnet	Bronze
6	Support	Stainless
7	Spring Plate	Brass
8	Lift Lever	Steel / Plated
9	Spring	Stainless
10	Spring Post	Brass
11	Lift Pin	Brass
12	Nameplate	Stainless
13	Hood	Bronze
14	Lever Pin	Brass
15	Hood Mount	Brass

Series 126
 ASME - NB Section VIII Air/Gas/Steam
 Inlet Sizes 1/2" - 3/4" - 1"
 Outlet size 3/4" NPT
 Max. 200 P.S.I.



PART NAME		Series 126
Date:	4/14/2016	Part Number 3-126-00
Drawn by:		
Approved by:		

Revised: 2/11/2019