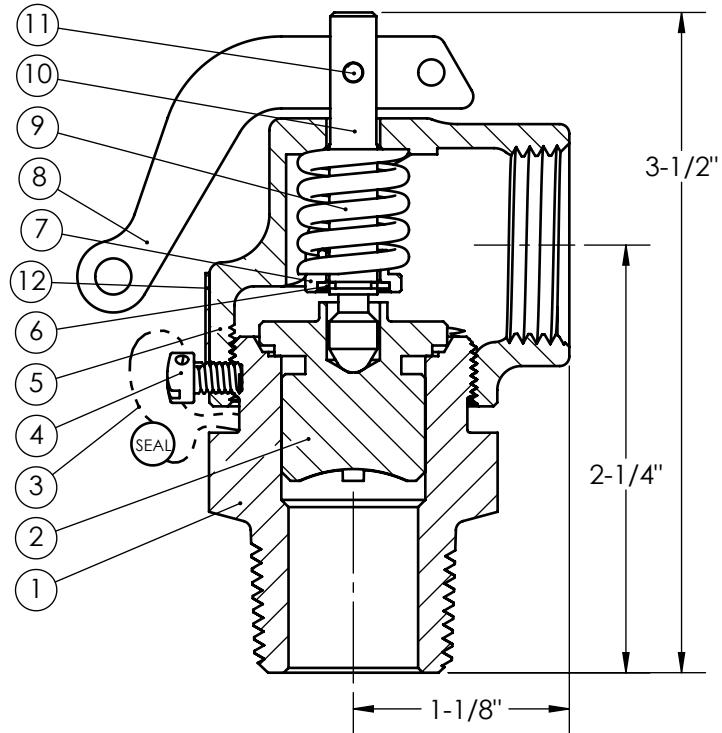


Aquatrol Inc. is the owner of this print and design thereon

Item	Desc.	Material
1	Body	Brass / Stainless
2	Disk	Bronze / Stainless
3	Seal Wire	Steel / Lead
4	Lock Screw	Brass
5	Bonnet	Bronze
6	Support	Stainless
7	Spring Plate	Brass
8	Lift Lever	Steel / Plated
9	Spring	Stainless
10	Spring Post	Brass
11	Lever Pin	Brass
12	Nameplate	Aluminum



Series 125  
 ASME - NB Section VIII Air/Gas/Steam  
 Inlet Sizes 1/2" - 3/4" - 1"  
 Outlet size 3/4" NPT  
 Max. 200 P.S.I.

<b>Aquatrol</b> VALVE COMPANY, INC.	
PART NAME	Series 125
Date: 4/14/2016	Part Number
Drawn by:	3-125-00
Approved by:	

Revised: 12/6/2017